

GV-CBW120 1.3MP H.264 Wireless Cube IP Camera



- 1/2.5" Progressive Scan CMOS
- Dual streams from H.264 and MJPEG
- Up to 30 fps at 1280 x 1024
- Day and night function (electronic)
- Wireless connectivity: WiFi 802.11/b/g/n
- Two-way Audio
- Memory Card Slot
- G.711 and AAC audio codec
- Wide Dynamic Range (WDR)
- Defog
- Motion detection
- Tampering alarm
- Privacy mask
- IP address filtering
- Megapixel lens
- Supports iPhone, iPad, Android & 3GPP
- 31 languages on Web interface
- ONVIF conformant

* No Memory Card Slot & local storage function for Argentina.

Active Tampering Alarm

Tampered



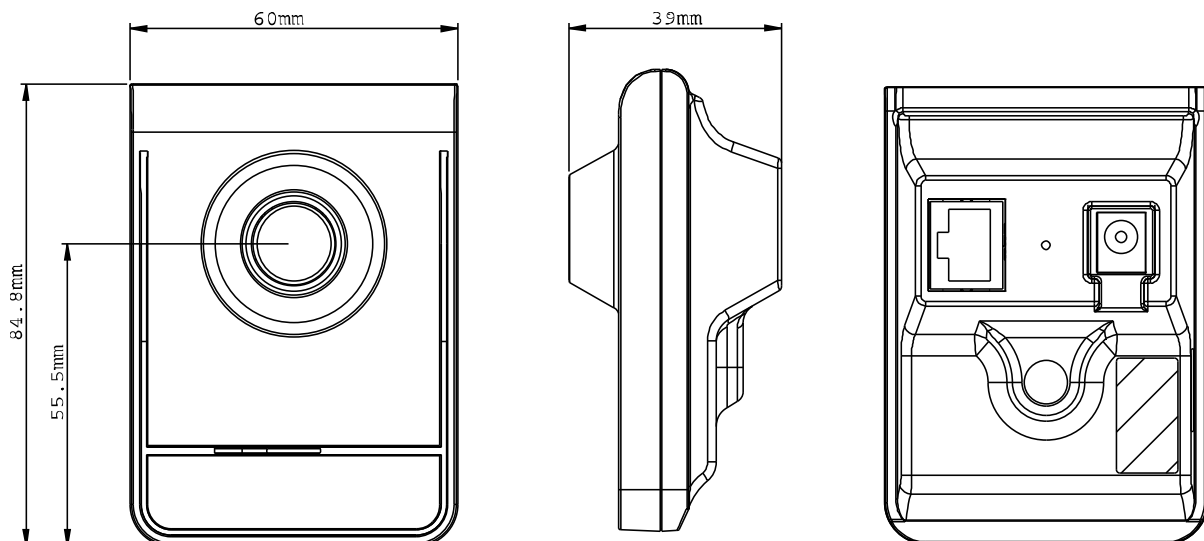
Focus Change



Camera Shift



Dimensions



Specifications

Camera		
Image Sensor	1/2.5" progressive scan CMOS	
Picture Elements	1280 (H) x 1024 (V)	
Minimum Illumination	Color	1 Lux (1/30 sec), 0.5 Lux (1/5 sec)
Shutter Speed	Automatic, Manual (1/5 ~ 1/8000 sec)	
White Balance	Automatic, Manual (2800K ~ 8500K)	
Gain Control	Automatic	
S/N Ratio	45 dB	
Lens		
Megapixel	Yes	
Day/Night	Yes (electronic)	
Lens Type	Fixed	
Focal Length	3.35 mm	
Max Aperture	F/2.4	
Mount	M12 mm	
Image Format	1/3"	
Operation	Focus	Fixed
	Zoom	
	Iris	
Operation		
Video Compression	H.264, MJPEG	
Video Stream	Dual streams from H.264 and MJPEG	
Frame Rate	30 fps at 1280 x 1024 * The frame rate and the performance may vary depending on the number of connections and data bitrates (different scenes).	
Image Setting	Brightness, Contrast, Saturation, Sharpness, Gamma, White Balance, Flicker-less, Image Orientation, Shutter Speed, Backlight Compensation	
Audio Compression	G.711, AAC (24 kHz / 16 bit) * AAC is only supported by GV-System V8.5 or later	
Two-way Audio	Yes	
Video Resolution		
Main Stream	4:3	1280 x 960, 640 x 480, 320 x 240
	16:9	1280 x 720, 640 x 360, 448 x 252
	5:4	1280 x 1024, 640 x 512, 320 x 256
Sub Stream	4:3	640 x 480, 320 x 240
	16:9	640 x 360, 448 x 252
	5:4	640 x 512, 320 x 256
Network		
Interface	10/100 Ethernet	
Ethernet Protocol	HTTP, HTTPS, TCP, UDP, SMTP, FTP, DHCP, NTP, UPnP, DynDNS, 3GPP/ISMA, RTSP, PSIA, SNMP, QoS (DSCP), ONVIF	
Wireless LAN	IEEE 802.11 b/g/n	
Antenna Type	Built-in	
Security	WEP, WPA-PSK(TKIP), WPA-PSK(AES), WPA2-PSK(TKIP), WPA2-PSK(AES)	
Mechanical		
Temperature Detector	No	
Connectors	Power	DC Jack
	Ethernet	Ethernet (10/100 Base-T), RJ-45
	Audio	Built-in speaker & microphone
	Local Storage	Micro SD/SDHC/SDXC memory card slot (for Class 6 card or above)
LED Indicator	2 LEDs: Status, LAN	
General		
Environment Temperature	0 °C ~ 40 °C / 32 °F ~ 104 °F	
Humidity	10% to 90% (no condensation)	
Power Source	5V DC	
Max. Power Consumption	3.2 W	
Dimensions	60 x 84.8 x 39 mm / 2.36 x 3.34 x 1.54 in	
Weight	70 g / 0.15 lb	
Regulatory	CE, FCC, C-Tick, RoHS compliant	

Web Interface	
Installation Management	Web-based configuration
Maintenance	Firmware upgrade through Web Browser or Utility
Access from Web Browser	Camera live view, video recording, change video quality, bandwidth control, image snapshot, audio, Picture in Picture, Picture and Picture, Privacy Mask, Tampering Alarm, Text Overlay
Language	Arabic / Bulgarian / Czech / Danish / Dutch / English / Finnish / French / German / Greek / Hebrew / Hungarian / Indonesian / Italian /Japanese / Lithuanian / Norwegian / Persian / Polish / Portuguese / Romanian / Russian / Serbian / Simplified Chinese / Slovakian / Slovenian / Spanish / Swedish / Thai / Traditional Chinese / Turkish

Applications	
Network Storage	GV-NVR, GV-System, GV-Backup Center, GV-Recording Server
Smart Device Access	GV-Eye for Android smartphone, tablet, iPhone, and iPod Touch GV-Eye HD for iPad
Live Viewing	IE, mobile phone
CMS Server support	GV-Control Center, GV-Center V2, GV-VSM

- Note:**
1. The signal range and data throughput may vary depending on the network conditions and environmental factors.
 2. Specifications are subject to change without notice.

Accessories

Name	Details
Power Adapter	Power adapters are available in 4 regions: U.S.A., Australia, U.K and Europe.